

IRON HORSE SEATING



2000

Series

PRODUCT FEATURES

The IRON HORSE Seating 2000 Series features the latest ergonomic designs and commercial grade components.



FEATURES

- Deluxe Comfort Headrest
- Knee Tilt Recliner with Adjustable Tension & 5 Locking Positions
- Independent Backrest Recline, Angle to 16°
- 2D Armrests, Height/Width Adjustable
- Adjustable Air Lumbar System
- Heavy Duty Gas Shock, Height Adjustable
- Heavy Duty 5-Star Base with Double Wheeled Casters

USER RATINGS

- Weight Rating: 200 lbs.
- User Height: 5'0" - 5'9"

WARRANTY

- 5-Year Warranty on Frame
- 5-Year Warranty on Structural Components
- 3-Year Warranty on Covers, Foam & Armrests

OPTIONAL FEATURES

- 4D Armrests, Height/Width/Length/Angle Adjustable
- Multiple Leather & Insert Colors
- Custom Embroidery

BRAND



MODEL

2000

Series

MANUFACTURER

UNITED GROUP
I N C O R P O R A T E D

IRONHORSESEATING.COM 800.223.7003

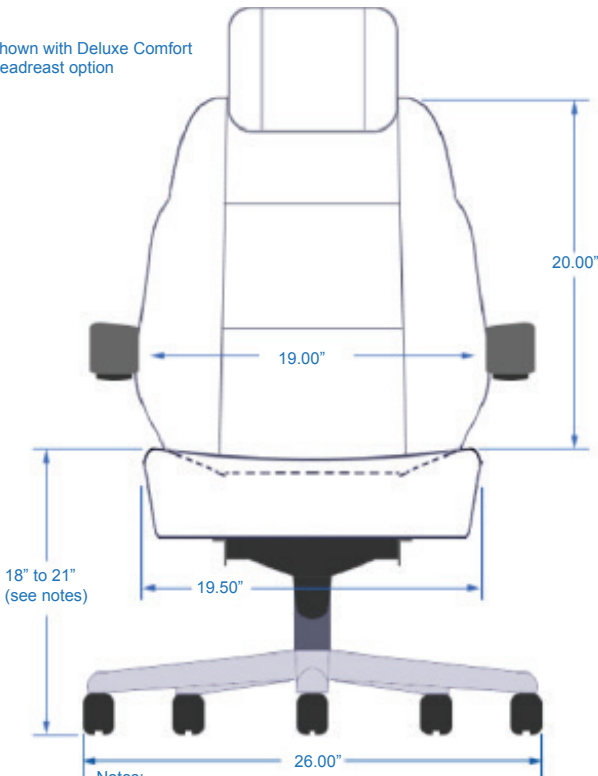
IRON HORSE SEATING



2000 Series

PRODUCT FEATURES

Shown with Deluxe Comfort Headrest option



Notes:

- 4.0" headrest height adjustment range
- 17" to 20" seat cushion height with short shock option*
- 17.50" seat cushion depth

Seat Cushion Height:

- Regular Shock Option - Seat Cushion Height 18" to 21"
- Short Shock Option - Seat Cushion Height 17" to 20"
- Tall Shock Option - Seat Cushion Height 19" to 23"



IRON HORSE SEATING - BUILT TO LAST

IRON HORSE Seating 24-Hour Chairs are engineered to withstand the demanding environments of control rooms, surveillance rooms, and dispatch centers. The IRON HORSE Seating 2000 Series features the latest ergonomic designs and commercial grade components.

Through extensive market knowledge and known customer requirements, these chairs are engineered to exceed your expectations. The ergonomic excellence of the IRON HORSE Seating intensive use products have been developed to meet the demands of 24-hour, multi-shift environments.

BRAND



MODEL

2000 Series

MANUFACTURER

UNITED GROUP
INCORPORATED

IRONHORSESEATING.COM 800.223.7003