

IRON HORSE SEATING



4000

Seat Slider

PRODUCT FEATURES

The IRON HORSE Seating 4000 Series with Seat Slider features the latest ergonomic designs and commercial grade components.

FEATURES

- Seat Cushion Depth Range: 19" - 22"
- Deluxe Comfort Headrest
- Knee Tilt Recliner with Adjustable Tension & 7 Locking Positions
- Independent Backrest Recline, Angle to 21°
- 2D Armrests, Height/Width Adjustable
- Adjustable Air Lumbar System
- Heavy Duty Gas Shock, Height Adjustable
- Heavy Duty 5-Star Base with Double Wheeled Casters

USER RATINGS

- Weight Rating: 350 lbs.
- User Height: 5'9" - 6'5"

WARRANTY

- 10-Year Warranty on Frame
- 5-Year Warranty on Structural Components
- 3-Year Warranty on Covers, Foam & Armrests

OPTIONAL FEATURES

- Standard Headrest
- Heavy Duty Tilt-Up Armrests, Adjustable Angle
- Polished Aluminum Base
- Multiple Leather & Insert Colors



BRAND



MODEL

4000

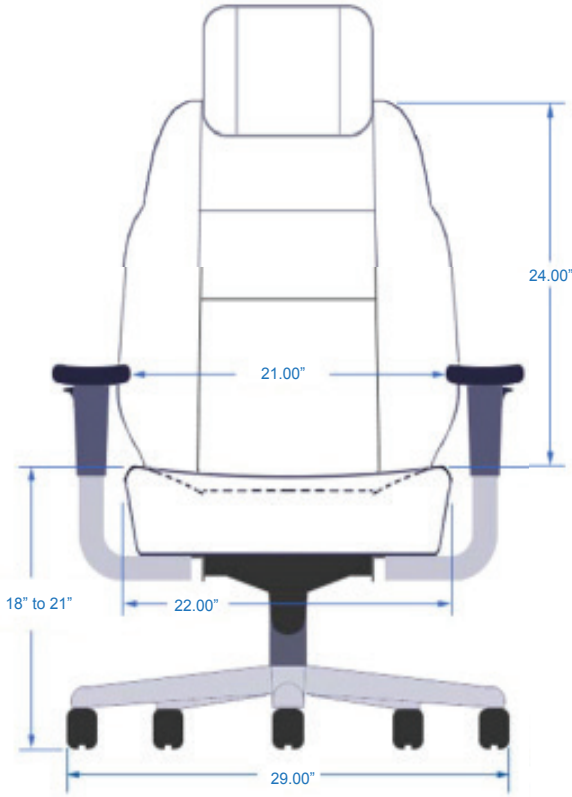
Seat Slider

MANUFACTURER

UNITED GROUP
I N C O R P O R A T E D

IRONHORSESEATING.COM 800.223.7003

Shown with Deluxe Comfort
Headrest option



Notes:
19" to 22" Seat Cushion Depth
4" Headrest Height Adjustment Range
Seat Cushion Height:
Regular Shock Option - Seat Cushion Height 18" to 21"

IRON HORSE SEATING



4000

Seat Slider

PRODUCT FEATURES



IRON HORSE SEATING - BUILT TO LAST

IRON HORSE Seating 24-Hour Chairs are engineered to withstand the demanding environments of control rooms, surveillance rooms, and dispatch centers. The IRON HORSE Seating 4000 Series with Seat Slider features the latest ergonomic designs and commercial grade components.

Through extensive market knowledge and known customer requirements, these chairs are engineered to exceed your expectations. The ergonomic excellence of the IRON HORSE Seating intensive use products have been developed to meet the demands of 24-hour, multi-shift environments.

BRAND



MODEL

4000

Seat Slider

MANUFACTURER

UNITED GROUP
I N C O R P O R A T E D

IRONHORSESEATING.COM 800.223.7003